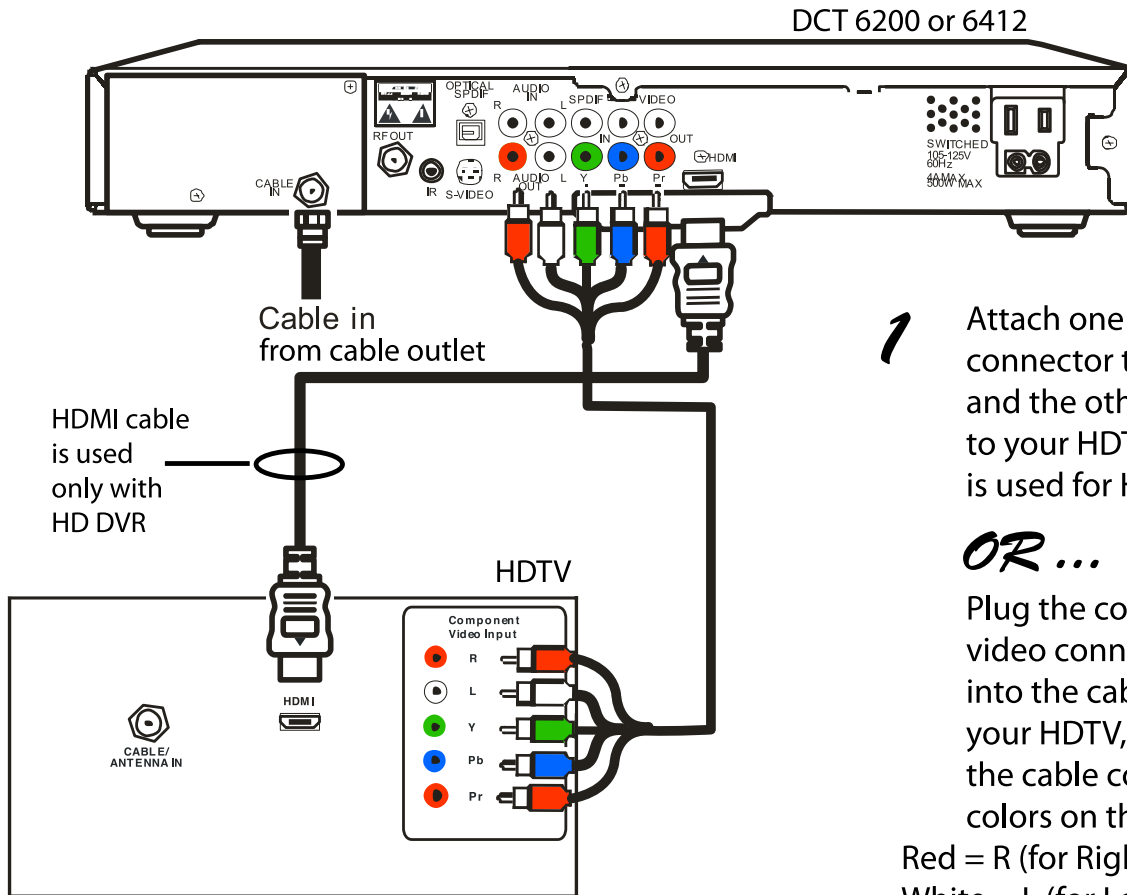
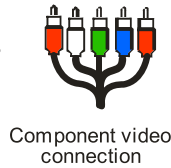


# Connecting Your DCT 6200 or 6412 to Your HD Television

These are your connectors:



OR



1

Attach one end of the HDMI connector to the cable box and the other end to your HDTV (HDMI cable is used for HD DVR only).

OR ...

Plug the component video connection cables into the cable box and your HDTV, matching up the cable colors to the colors on the boxes:

Red = R (for Right audio in or out)  
White = L (for Left audio in or out)  
Green = Y  
Blue = Pb  
Red = Pr

2

Plug the cable box into a wall outlet.

Need help? You can find information on the web site: [www.stanford.edu/services/cabletv/stv](http://www.stanford.edu/services/cabletv/stv)

You can also get live help 24/7:

During business hours (Monday–Friday 8 a.m.–5 p.m.), call 5-HELP (650-725-4357), press Option 3. All other times, call 5-HELP (650-725-4357), press Option 4.