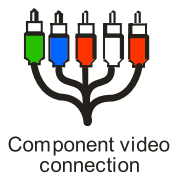


Connecting Your DCH 6200 & 6416 to Your HD Television

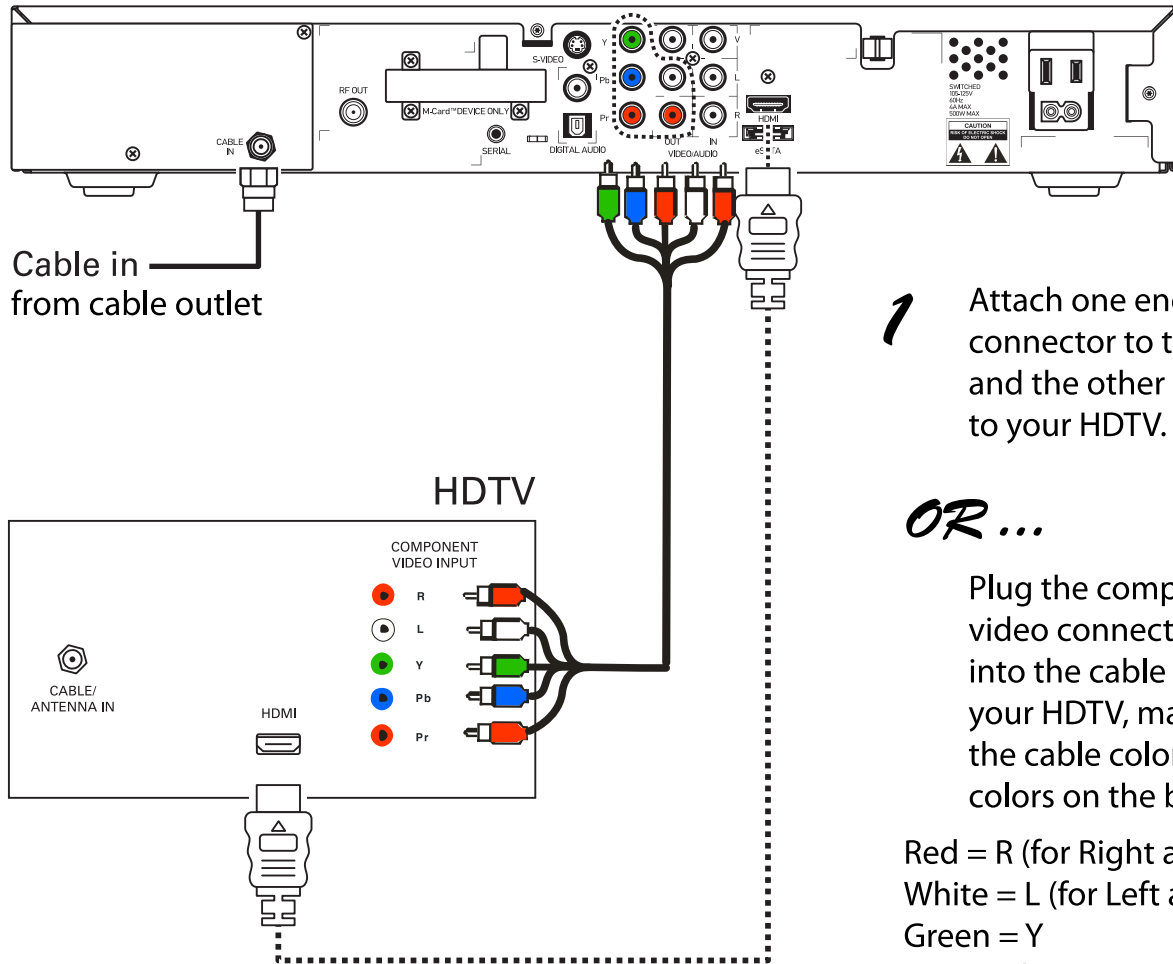
These are your connectors:



OR



DCH 6200 or 6416



1 Attach one end of the HDMI connector to the cable box and the other end to your HDTV.

OR...

Plug the component video connection cables into the cable box and your HDTV, matching up the cable colors to the colors on the boxes:

- Red = R (for Right audio in or out)
- White = L (for Left audio in or out)
- Green = Y
- Blue = Pb
- Red = Pr

2 Plug the cable box into a wall outlet.

Need help? You can find information on the web site: www.stanford.edu/services/cabletv/stv

You can also get live help 24/7:

During business hours (Monday–Friday 8 a.m.–5 p.m.), call 5-HELP (650-725-4357), press Option 3.

All other times, call 5-HELP (650-725-4357), press Option 4.